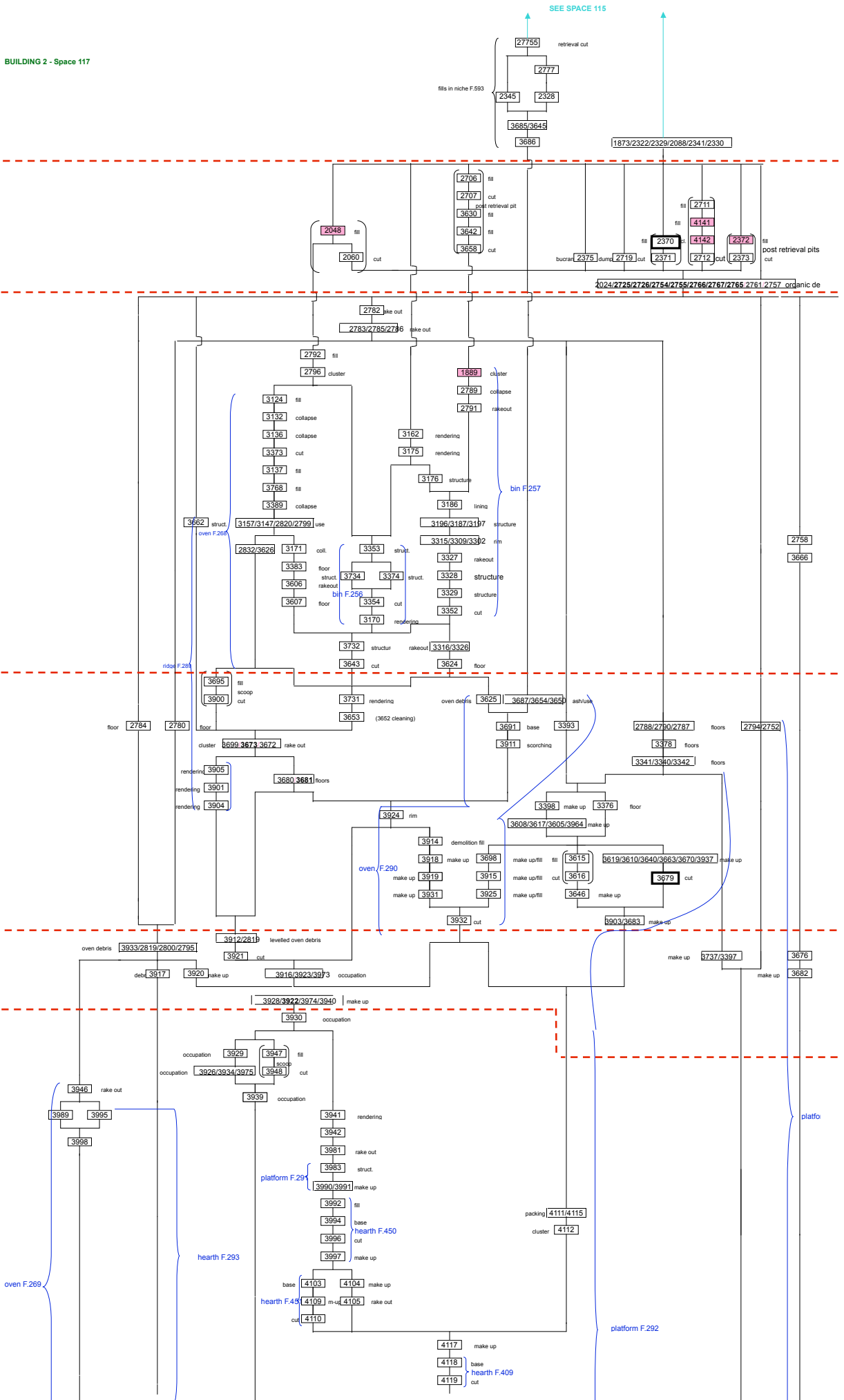


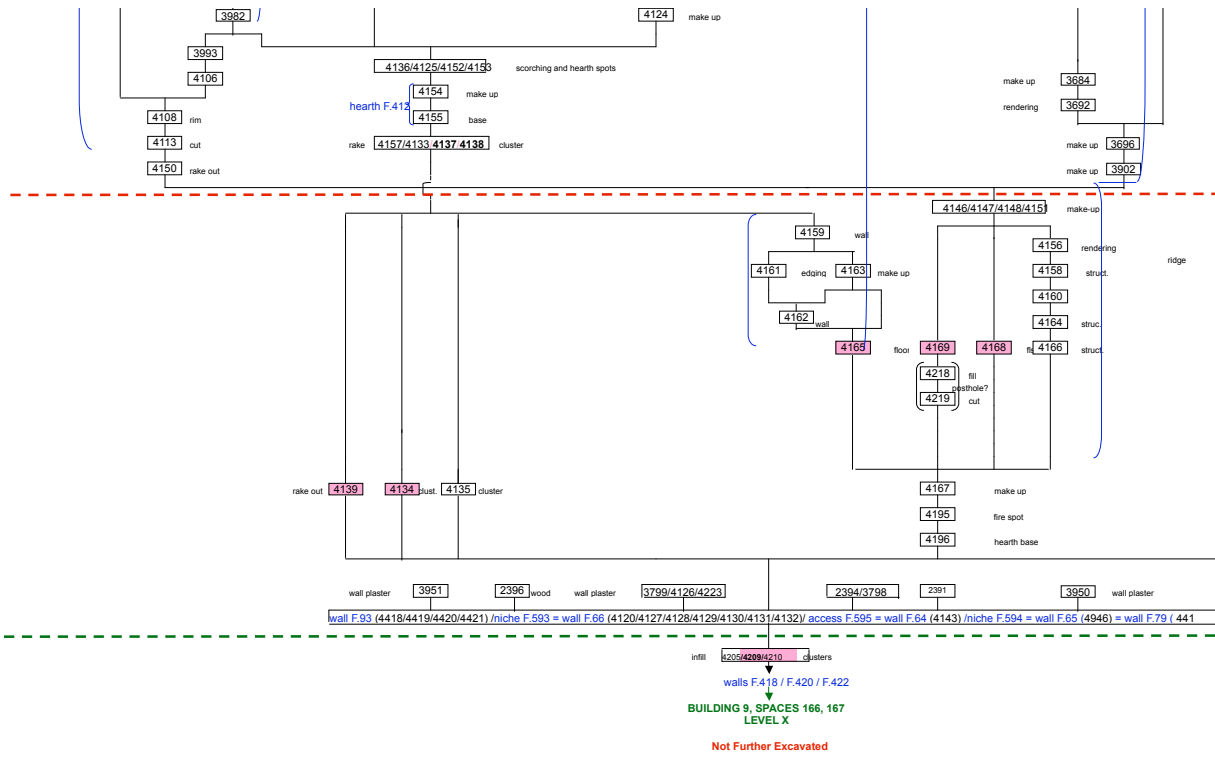
# BUILDING 2 - SPACE 117, LEVEL IX

- KEY**
- Building division
  - Phase
  - } Feature
  - Field priority unit
  - Post-ex priority unit
  - = Same as
  - Bulk

balks	
3980 =	3903
	3915
	3376
	2763
	3393
3966 =	3731
	3624
	3653
	3626
3967 =	3673
	3681
	3672
	3680
	3699
3655 =	2024
	2766
	2786
	2789
	2780
	2819

BUILDING 2 - Space 117





Phase 7  
infilling  
LEVEL VIII

Phase 6  
closure

posit

Phase 5  
occupation

scoop

floor 2797 floor

floor 2814 floor

2793/2798/2753

Phase 4  
occupation

3633

3636

Phase 3  
levelling

rake up 3656

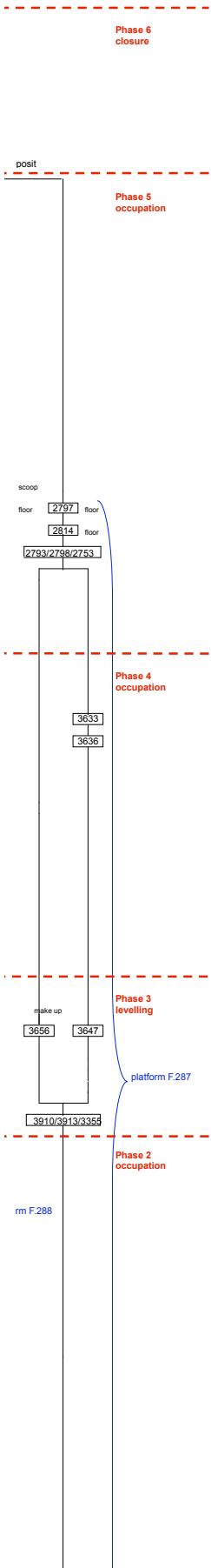
3647

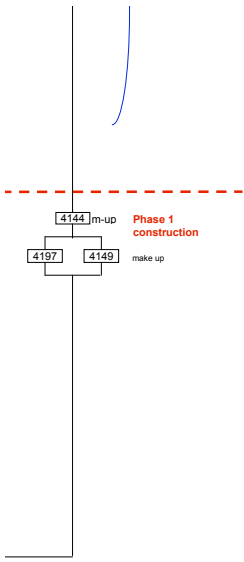
platform F.287

3910/3913/3355

Phase 2  
occupation

rm F.288





|24413/4414/4415|

